

AP117G

Back to wall wc with goclean® system S/P trap
(drainage connectors art. LK1012 included)

Complements: Soft-closing thermosetting wrapping seat&cover (QKCW07)
SLIM soft-closing thermosetting seat&cover (QKCW09)
gocare electronic multifunction
coverseat (FL7235 - FL7035R)
Niagara monoblock cistern (TR38)
Line accessories: TWO - HOOP - NOKÉ - FOLD

Technical accessories: Floor fixing kit (9003)

Package dim.

Weight 28 kg

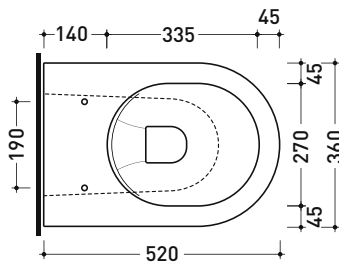
Pz. Pallet n° 15

UNI EN 997

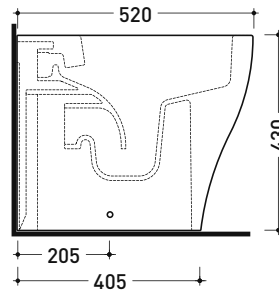
Dop-No997



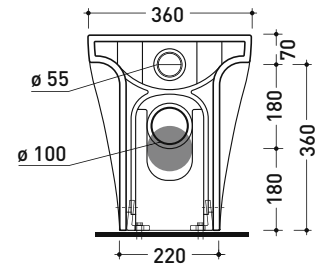
Flaminia does not recommend combining this toilet model with rapid-flow/flushometer systems or traditional high tanks



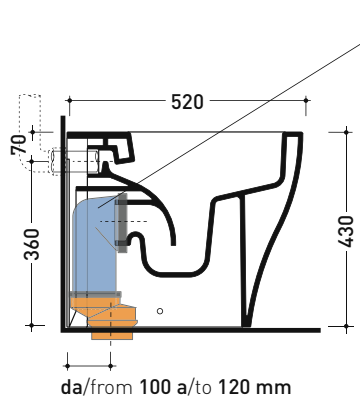
vista zenitale / zenital view



vista laterale / lateral view

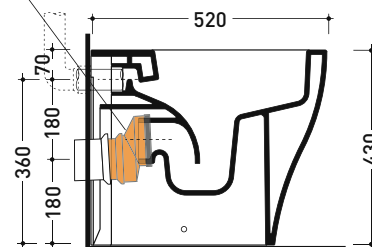


vista retro / back view



sezione longitudinale / section

art. LK1012 (LKR90+LKR40)
connessioni di scarico
(in dotazione)
drainage connector
(included in the box)



sezione longitudinale / section

sizes in mm

Please consider a 2% tolerance on indicated measurements

CERAMIC: glossy finish



white black

matt finish



milky white carbone fango argilla cenere